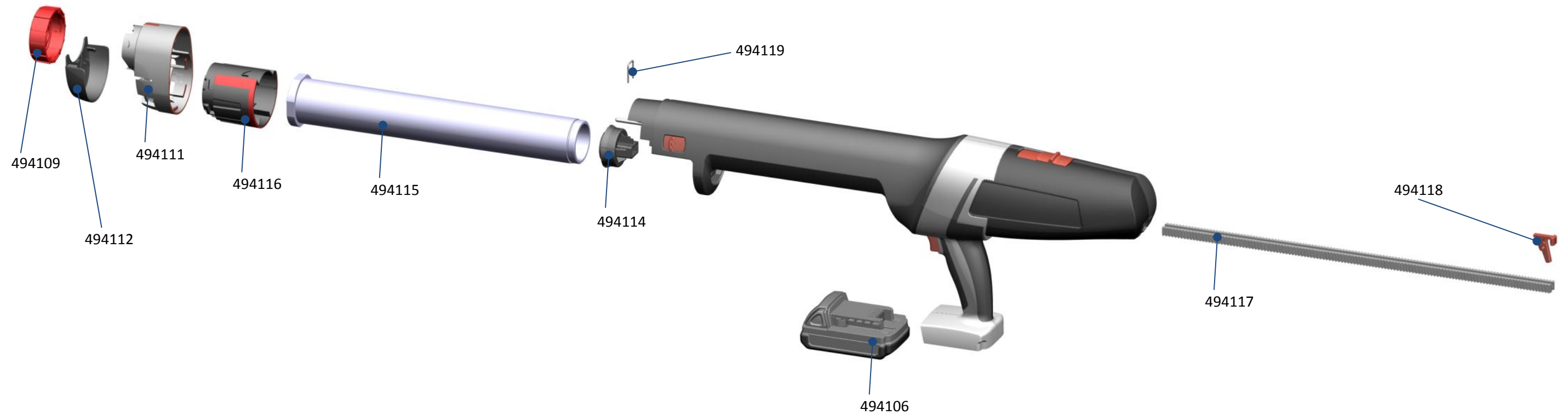


# POWERCURE DISPENSER SYSTEM DRAWING



Replacement of grey mounting cap for PowerCure adhesives requires Part 494111 and 494112

Highlighted and numbered parts are available as spare parts. Parts other than the highlighted ones must be replaced by an authorized service center.

## Spare Part Availability

PowerCure spare parts can be ordered at

### Worldwide

Bühning & Joswig GmbH  
Westfaliastr. 13  
D-44147 Dortmund  
[eshop@safeline.de](mailto:eshop@safeline.de)  
Fax: +49-231-98207090  
[www.sika.com/powercure](http://www.sika.com/powercure)

Version 02.2015/25.02.2015